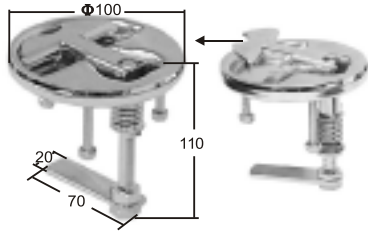


Chapter 6

Hasp, Latch, Fastener, Door Catcher, and Locks



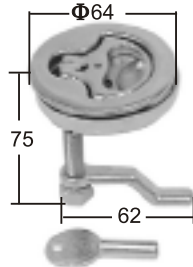
QUICK OPENING COMPRESSION

LATCH Stamped **AISI 316**

lift handle straight bar

ITEM NO. Weight/g

008349 464



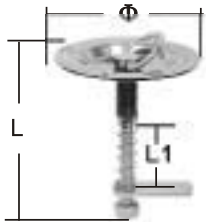
LIFT HANDLE

casted **AISI 316**

ITEM NO. Weight/g

007188 with lock 215

007189 without lock 193



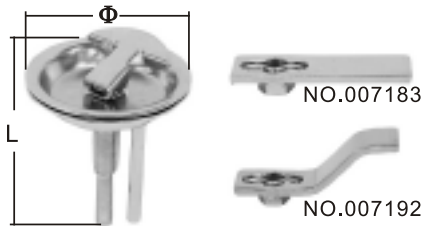
LIFT HANDLE

stamped **AISI 316**

Lockable

ITEM NO. L1mm Lmm Φ mm Weight/g

007191 30 78 97 279



LIFT HANDLE

stamped **AISI 316**

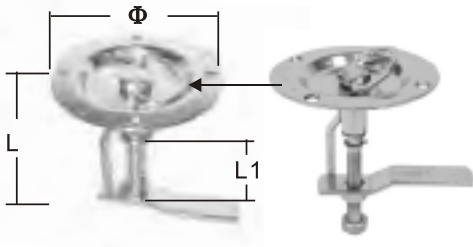
Lockable with retrogressive spring

and stop cam not included

ITEM NO. L mm Φ mm Weight/g

007192 78,5 70 220 Angle

007183 78,5 70 210 straight



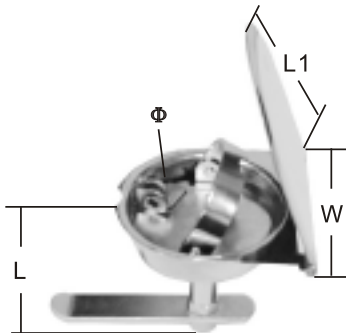
LIFT HANDLE

stamped **AISI 316**

Lockable with retrogressive spring and stop

ITEM NO. L1 mm L mm Φ mm Weight/g

007190 60 110 97 320



LIFT HANDLE

stamped **AISI 316**

Lockable with padlock-holder and thread closing

plug-internal security opening

ITEM NO. L mm L1 mm W mm Φ mm Weight/g

007197 100 110 100 80 458